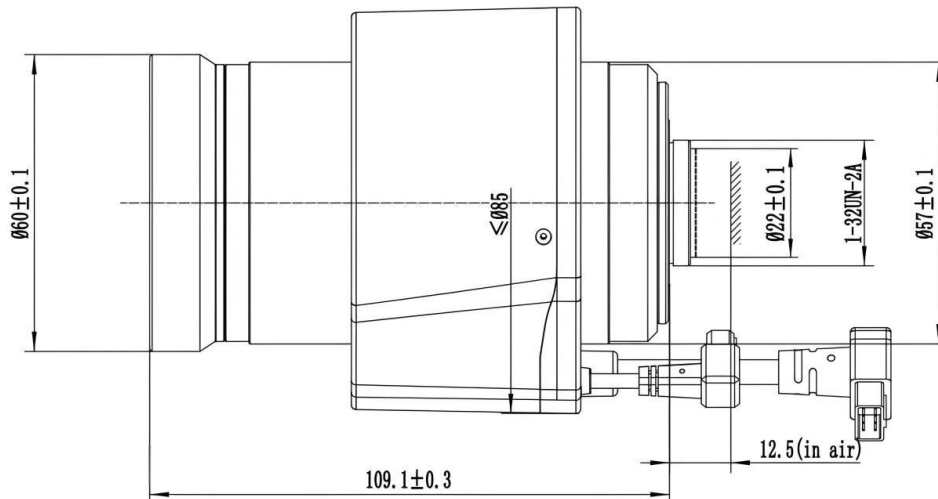


## JC-MZ2070-8MP

Model No.	JC-MZ2070-8MP		
Focal Length	20-70mm( $\pm 5\%$ mm)		
Sensor Size	1/1.2"( $\phi$ 12.8mm)		
F No.	F1.3-F1.5( $\pm 5\%$ mm)		
Mount	CS-Mount		
FOV(D*H*V) $\pm 5\%$	1/1.2"	W:37.3° x32.1° x17.7°	T:10.8° x9.4° x5.3°
	2/3"	W:31.7° x25° x18.6°	T:9.3° x7.5° x5.6°
	1/1.8"	W:25.2° x21.9° x12.2°	T:7.5° x6.6° x3.7°
Optical Distortion	1/1.2"	W:-7.50%	T:0.8%
	2/3"	W:-5.4%	T:0.6%
	1/1.8"	W:-3.4%	T:0.4%
CRA	1/1.2"	W:4.1	T:2.7
	2/3"	W:4.6	T:2.0
	1/1.8"	W:4.5	T:1.1
Weight	534g $\pm 5$ g		
Coating Range	400-900nm		
M.O.D	3m~5m		
Dimension	$\Phi$ 60x109.1mm		
Flange BFL	12.5 $\pm$ 0.15mm(in air)		
BFL	9.62mm(in air)		
MBF	6.55mm(in air)		
Relative Illuminance	W:42%@ $\phi$ 12.8mm	T:40%@ $\phi$ 12.8mm	
IR Correction	Yes		
Operation	Iris	P-Iris	
	Focus	Motorized	
	Zoom	Motorized	
Temperature Range	-30°C~+70°C		

### PRODUCT SIZE:(mm)



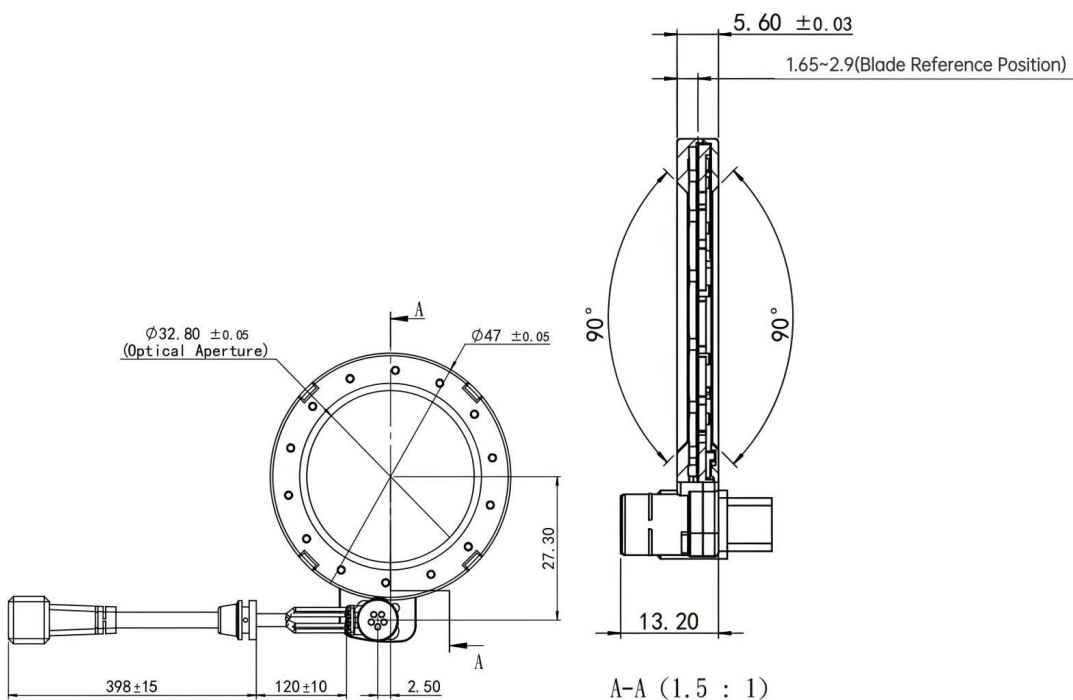
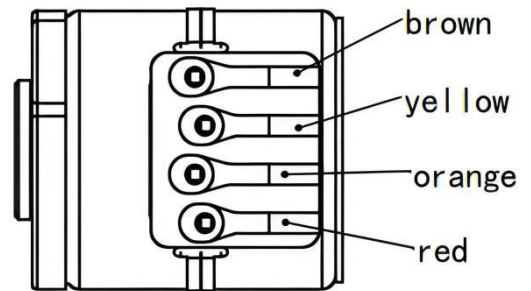
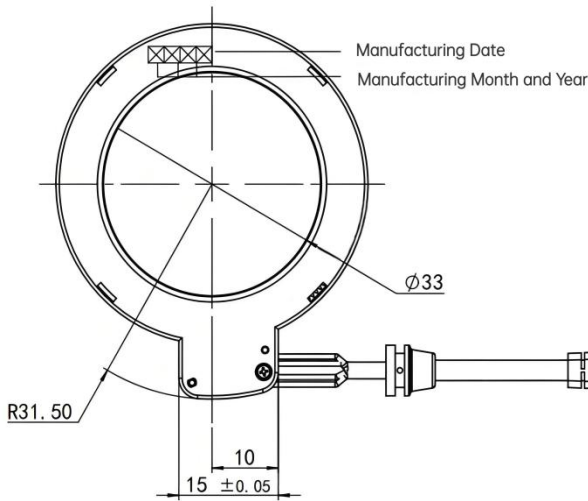
General Tolerances	Level 1	Level 2	Level 3
$L \leq 6$	$\pm 0.05$	$\pm 0.1$	$\pm 0.2$
$6 < L \leq 30$	$\pm 0.1$	$\pm 0.2$	$\pm 0.5$
$30 < L \leq 120$	$\pm 0.15$	$\pm 0.3$	$\pm 0.8$
$120 < L \leq 315$	$\pm 0.2$	$\pm 0.5$	$\pm 1.2$
Angle Tolerances: $\pm 1^\circ$			

Step	PHASE			
	A	$\bar{A}$	B	$\bar{B}$
1	H	L	L	H
2	H	L	H	L
3	L	H	H	L
4	L	H	L	H



Excitation method and sequence of two coils  
 CLOSE  $\rightarrow$  OPEN: 1  $\rightarrow$  2  $\rightarrow$  3  $\rightarrow$  4  $\rightarrow$  1  
 OPEN  $\rightarrow$  CLOSE: 1  $\rightarrow$  4  $\rightarrow$  3  $\rightarrow$  2  $\rightarrow$  1

Open Standard Excitation: **A: H**、**A-: L**、**B: L**、**B-: H**

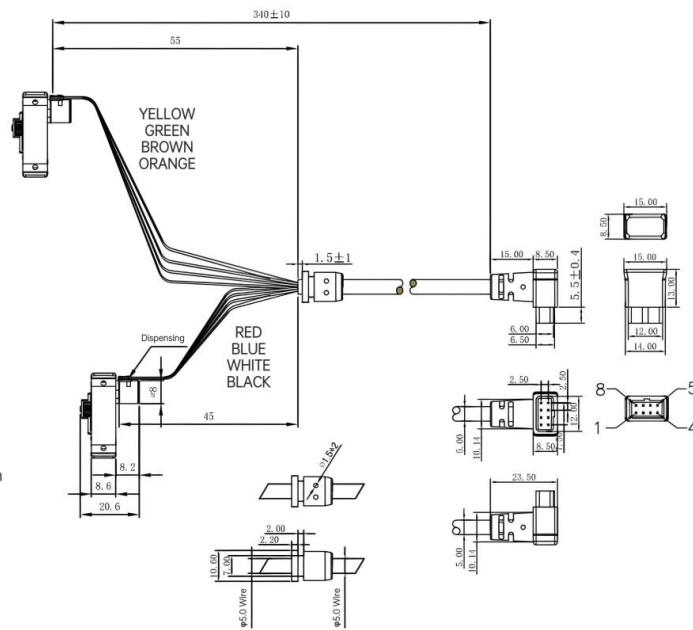
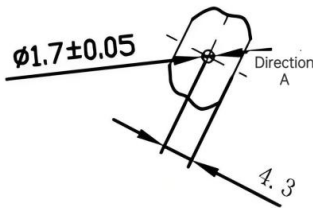
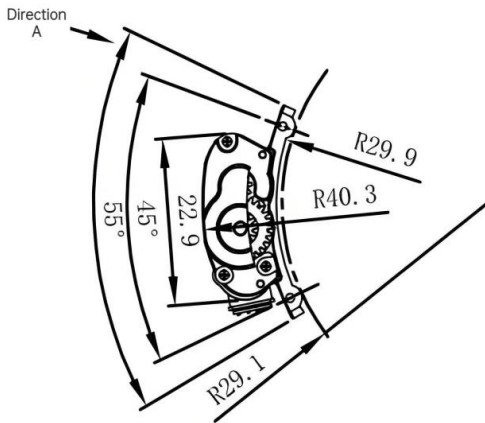
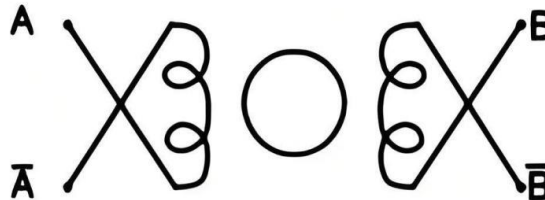


**SEQUENCE OF EXCITATION**

Step Phase	1	2	3	4
A	+	+	-	-
$\bar{A}$	-	-	+	+
B	-	+	+	-
$\bar{B}$	+	-	-	+

**Output Shaft Rotation CW**

**CONNECTION DIAGRAM**



**ELECTRICAL CHARACTERISTIC**

1. RATED VOLTAGE: 5V DC
2. COIL RESISTANCE:  $30\Omega \pm 7\%$
3. No. OF PHASES: 2PHASES
4. STEP ANGLE:  $18^\circ$  /STEP
5. EXCITATION METHOD: 2-2PHASE EXCITATION
6. DRIVE MODE: BI-POLAR DRIVE
7. MAX. STARTING PULSE RATE: 1200PPS Min. /5VDC
8. MAX. SLEWING PULSE RATE: 2500PPS Min. /5VDC
9. INSULATION CLASS: CLASS E FOR COILS
10. SPEED REDUCING RATION: 1:172.1
11. INSULATION RESISTANCE:  $5M\Omega$  Min. /100 VDC
12. INSULATION STRENGTH: 3mA max. 100VAC/1 SECOND
13. OPERATING TEMPERATURE RANGE:  $-40 \sim +80^\circ\text{C}$
14. OUTPUT TORQUE: 300gf-cm (min) AT 500pps 5VDC

PIN NO.	COLOR
①	(FOCUS A+) BLACK
②	(FOCUS A-) BLUE
③	(ZOOM A+) ORANGE
④	(ZOOM A-) GREEN
⑤	(ZOOM B+) YELLOW
⑥	(ZOOM B-) BROWN
⑦	(FOCUS B-) WHITE
⑧	(FOCUS B+) RED

Output Shaft Parameters	
Pressure Angle	$20^\circ$
Modulus	0.3
Shaft Number	14
Shaft Tip Circle Diameter	$\phi 4.8$
Pitch Circle Diameter	$\phi 4.2$
Shaft Root Circle Diameter	$\phi 3.39$
Accuracy Level	JGMA-116-02 Level 4